

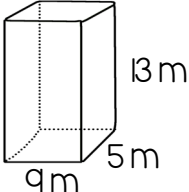
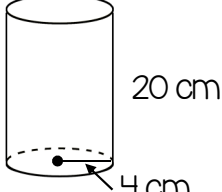
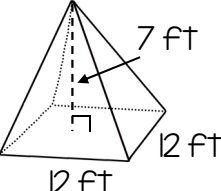
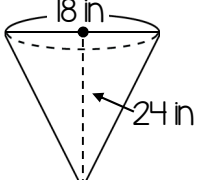
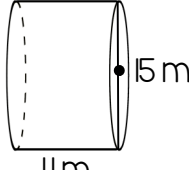
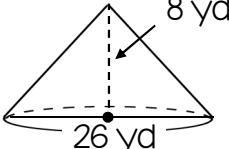
Volume & Surface Area

{Coloring Activity}

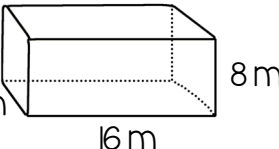
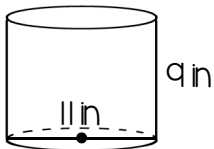
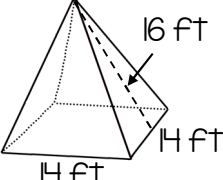
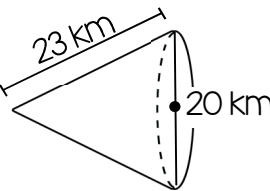
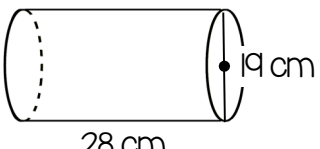
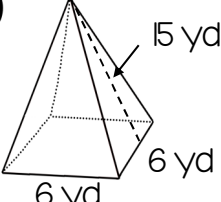
Name: _____

Date: _____ Per: _____

Set 1: Find the **volume** of each figure below. Round your answer to the nearest tenth.

<p>1</p> 	<p>2</p> 
<p>3</p> 	<p>4</p> 
<p>5</p> 	<p>6</p> 

Set 2: Find the **surface area** of each figure below. Round your answer to the nearest tenth.

<p>7</p> 	<p>8</p> 
<p>9</p> 	<p>10</p>  <p>23 km is the slant height (l) $SA = \pi r^2 + \pi r l$</p>
<p>11</p> 	<p>12</p> 

Match the question number with the answer below. Color the picture accordingly.

Red: 1,415.8

Yellow: 2,035.8

Orange: 644

Light Green: 585

Dark Green: 400

Light Blue: 216

Dark Blue: 336

Purple: 1,005.3

Pink: 2,238.4

Brown: 501.1

Black: 1,943.9

Gray: 1,036.7

